

**8.0A ULTRASOFT RECOVERY BRIDGE
RECTIFIER Reverse Voltage – 600 to 1000 V
Forward Current – 8.0A**

FEATURES

- ◆Ultrasoft recovery
- ◆LOW I_{RRM} , LOW V_F , LOW V_{RRM}
- ◆Glass Passivated Chip Junction
- ◆Special frame design for heat dissipation
- ◆Lead free in comply with EU RoHS 2011/65/EU directives

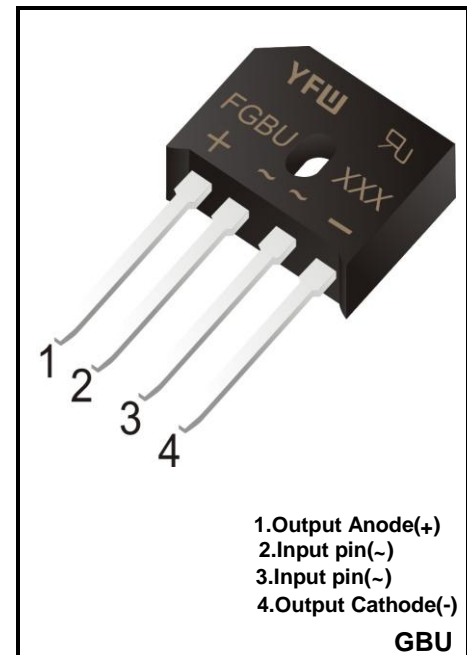


BENEFITS

- ◆Reduced EMI
- ◆Reduced Power loss and switching transistor
- ◆Reduced snubbing

MECHANICAL DATA

- ◆Case: GBU
- ◆Terminals: Solderable per MIL-STD-750, Method 2026
- ◆Approx. Weight: 3.9g /0.138oz



Maximum Ratings and Electrical characteristics

Ratings at 25 °C ambient temperature unless otherwise specified.

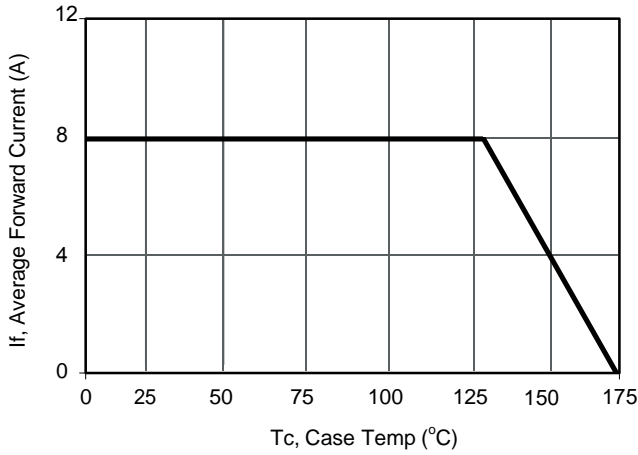
Single phase half-wave 60 Hz, resistive or inductive load, for capacitive load current derate by 20 %.

Parameter	Symbols	FGBU806	FGBU808	FGBU810	Units
Maximum Repetitive Peak Reverse Voltage	V_{RRM}	600	800	1000	V
Maximum RMS voltage	V_{RMS}	420	560	700	V
Maximum DC Blocking Voltage	V_{DC}	600	800	1000	V
Average Rectified Output Current	I_o	8.0			A
Reverse Recovery Time. $I_F=0.5A,I_R=1A,IRR=0.25A$	T_{rr}	10			μS
Peak Forward Surge Current 8.3 ms Single Half Sine-Wave Superimposed on Rated Load(JEDEC method)	I_{FSM}	175			A
I^2t Rating for Fusing($1ms \leq t \leq 10ms$)	I^2t	127			A^2S
Maximum Forward Voltage at 4.0 A	V_F	1.0			V
Maximum DC Reverse Current at Rated DC Blocking Voltage	I_R	5 100			μA
Typical Junction Capacitance (Note1)	C_j	50			pF
Operating and Storage Temperature Range	T_j, T_{stg}	-55 ~ +175			°C

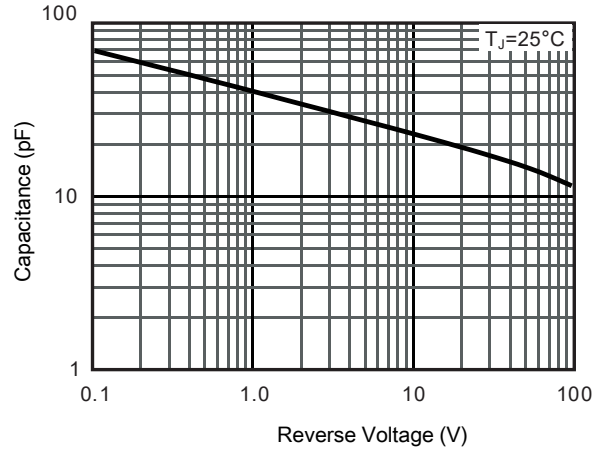
Note: 1. Measured at 1MHz and applied reverse voltage of 4 V D.C.

2. Mounted on glass epoxy PC board with 4×1.5"×1.5" (3.81×3.81 cm) copper pad.

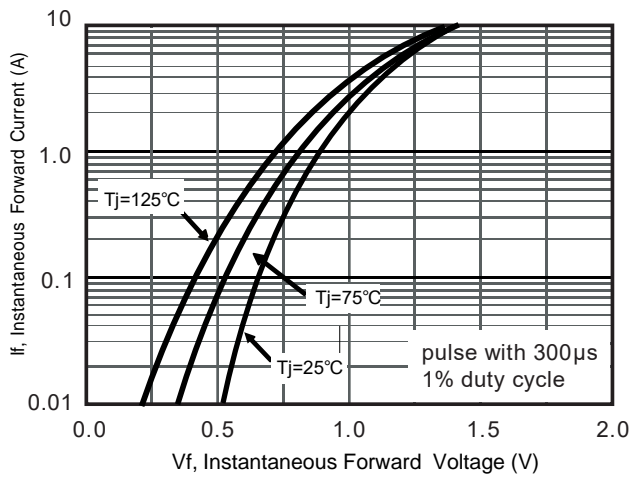
RATINGS AND CHARACTERISTICS CURVES (TA = 25 °C unless otherwise noted)



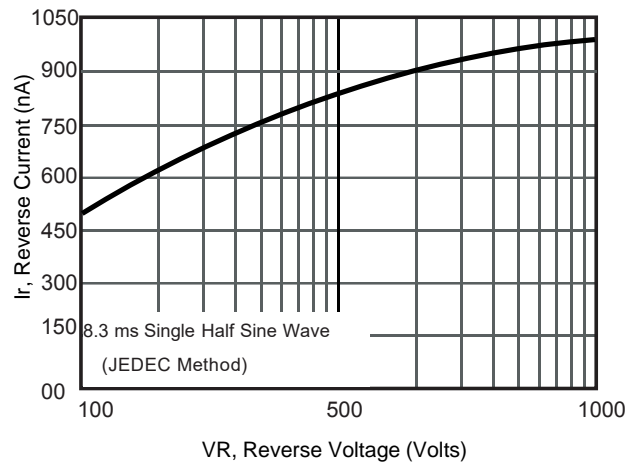
Current Derating, Case



Typical Junction Capacitance



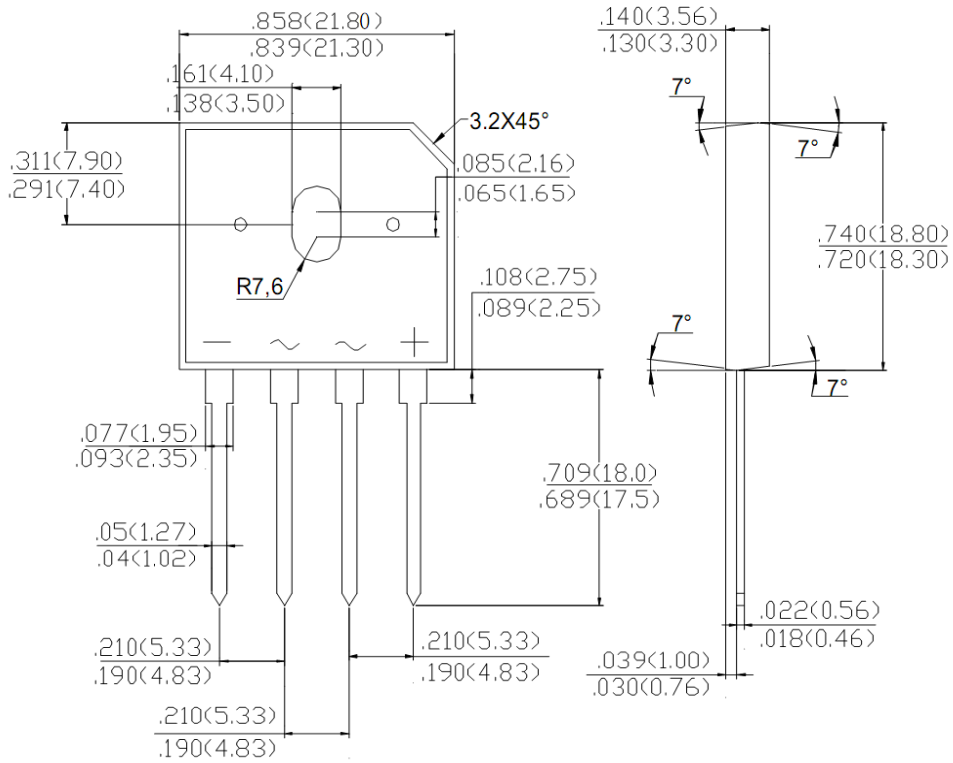
Typical Forward Voltage



Typical Reverse Current

Package Outline

GBU



Summary of Packing Options

Package	Packing Description	Packing Quantity	Industry Standard
GBU	BOX	350	EIA-481-1