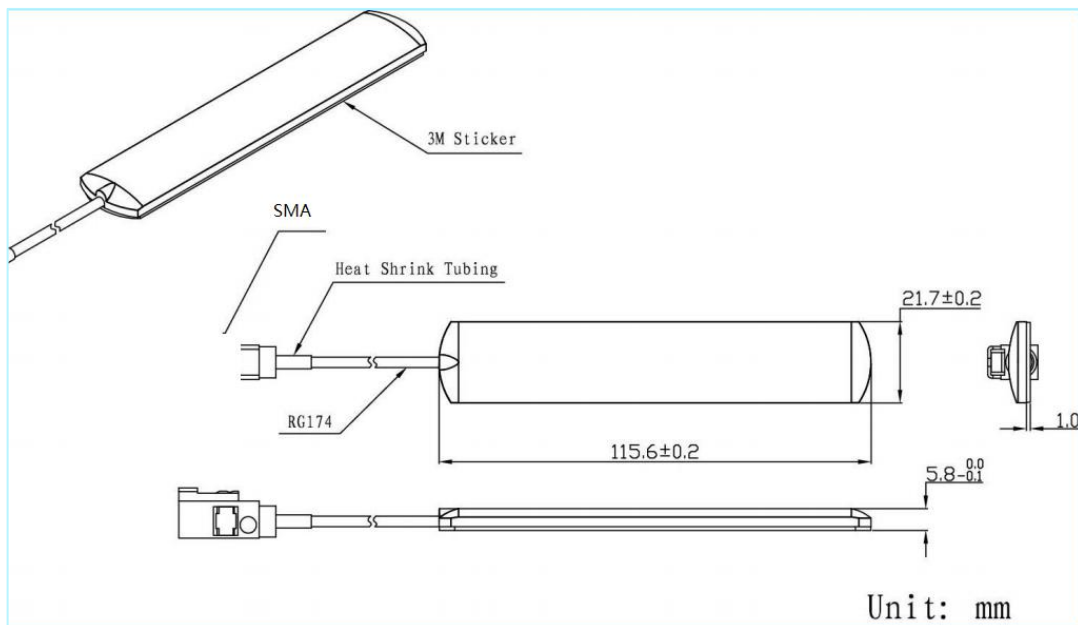


# WIFI Antenna Rectangular Shape

AN\_W063



## Mechanical dimension



# WIFI Antenna Rectangular Shape

## Specifications

Item	Specifications	
Antenna	Frequency Range	2400~2483.5MHz
	Polarization	Linear
	Gain	3.0dBi
	Impedance	50Ω
	PCB Dimension	104.6*15*1mm
Mechanical	Cable	4 meters
	Connector	RP-SMA Plug
	Radome Material	ABS
	Mounting Method	Adhesive
Environmental	Operating Temperature	-40℃~+85℃
	Vibration	10 to 55Hz with 1.5mm amplitude 2hours
	Environmentally Friendly	ROHS Compliant
	Relative Humidity	Up to 95%

# WIFI Antenna Rectangular Shape

## Radiation Patterns

