

isc Silicon NPN Power Transistor
2SD1290
DESCRIPTION

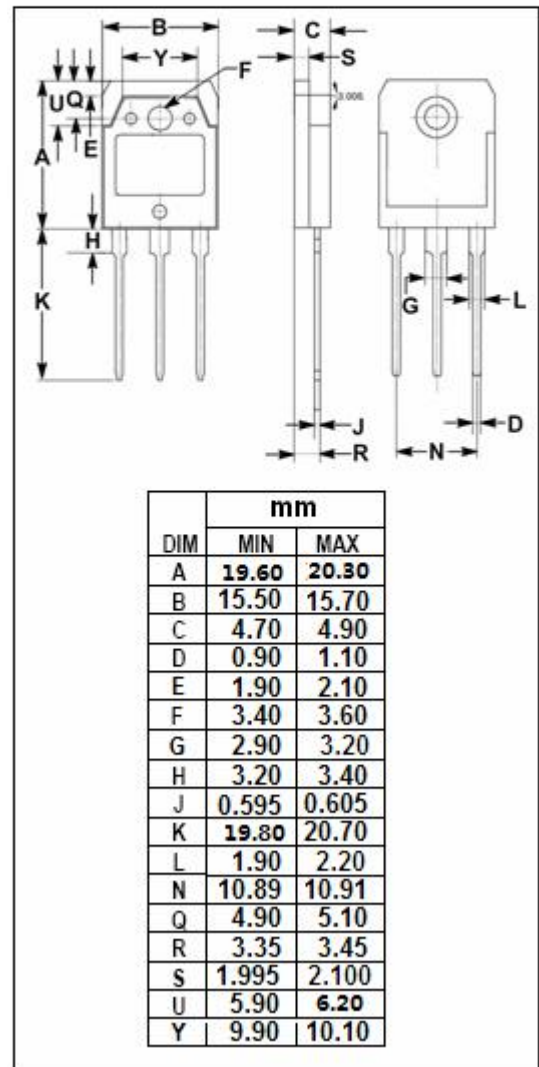
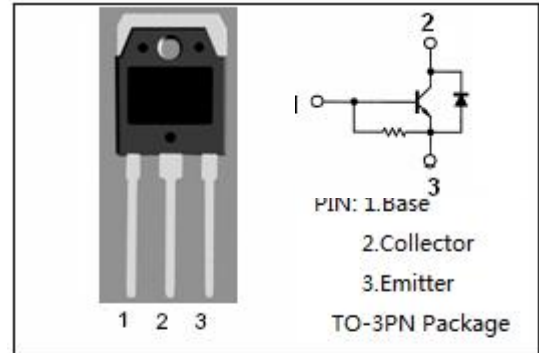
- High Voltage
- Wide Area of Safe Operation
- Built-in damper diode
- Minimum Lot-to-Lot variations for robust device performance and reliable operation

APPLICATIONS

- Designed for color TV horizontal deflection output applications.

ABSOLUTE MAXIMUM RATINGS (T_a=25°C)

SYMBOL	PARAMETER	VALUE	UNIT
V _{CBO}	Collector-Base Voltage	1500	V
V _{CES}	Collector-Emitter Voltage	1500	V
V _{EBO}	Emitter-Base Voltage	5	V
I _C	Collector Current-Continuous	3	A
I _{CM}	Collector Current-Peak	10	A
P _C	Collector Power Dissipation @T _C =25°C	50	W
T _J	Junction Temperature	130	°C
T _{stg}	Storage Temperature Range	-55-130	°C



isc Silicon NPN Power Transistor

2SD1290

ELECTRICAL CHARACTERISTICS

T_c=25°C unless otherwise specified

SYMBOL	PARAMETER	CONDITIONS	MIN	TYP	MAX	UNIT
V _{(BR)EBO}	Emitter-Base Breakdown Voltage	I _E = 200mA; I _C = 0	5			V
V _{CE(sat)}	Collector-Emitter Saturation Voltage	I _C = 2A; I _B = 0.75A			5.0	V
V _{BE(sat)}	Base-Emitter Saturation Voltage	I _C = 2A; I _B = 0.75A			1.5	V
h _{FE}	DC Current Gain	I _C = 2A; V _{CE} = 10V	3		8	
I _{CBO}	Collector Cutoff Current	V _{CB} = 750V; I _E = 0 V _{CB} = 1500V; I _E = 0			50 1.0	μ A mA
V _{ECF}	C-E Diode Forward Voltage	I _F = 4A			2.2	V

Switching Times

t _s	Storage Time	I _C = 2A; I _{Leak} = 0.75A; L _B = 5 μ H			7	μ s
t _f	Fall Time				1	μ s

NOTICE:

ISC reserves the rights to make changes of the content herein the datasheet at any time without notification. The information contained herein is presented only as a guide for the applications of our products.

ISC products are intended for usage in general electronic equipment. The products are not designed for use in equipment which require specialized quality and/or reliability, or in equipment which could have applications in hazardous environments, aerospace industry, or medical field. Please contact us if you intend our products to be used in these special applications.

ISC makes no warranty or guarantee regarding the suitability of its products for any particular purpose, nor does ISC assume any liability arising from the application or use of any products, and specifically disclaims any and all liability, including without limitation special, consequential or incidental damages.